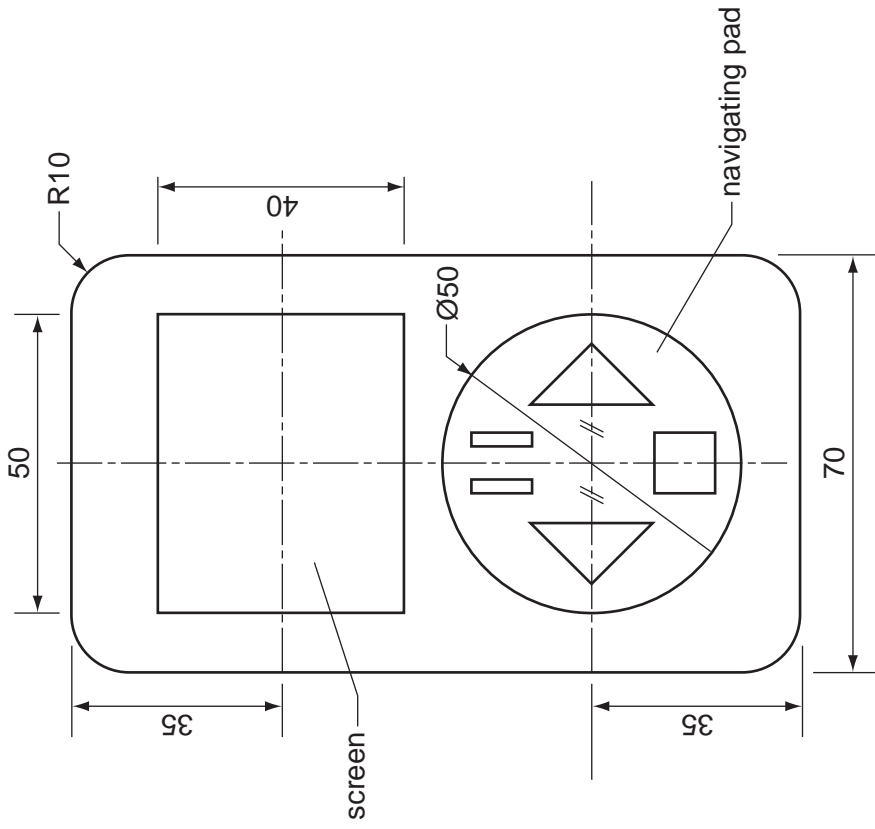


**Section A**

Answer **all** questions in this section.

The drawing below shows details of an MP3 player.



**A1** Complete the full size view of the MP3 player by drawing on the centre lines given in the space provided on the right:

- (a) the rectangular screen  $50 \times 40$ ;
- (b) the  $\text{Ø}50$  circular navigating pad;
- (c) the second triangular button  $45^\circ \times 90^\circ$ ;
- (d) the complete outline  $70 \times 120$  with R10 corners. [9]

**A2** Complete the publicity label for the SINGSONG MP3 PLAYER by adding the **four** missing letters.

All the letters must be of the same height and style as those given. [6]

# SINGSONG

# MP3

# PL

**0445/23** May/June 2010 **1 hour**  
© UCLES 2010

Centre Number .....

Candidate's Number .....

Candidate's Surname .....

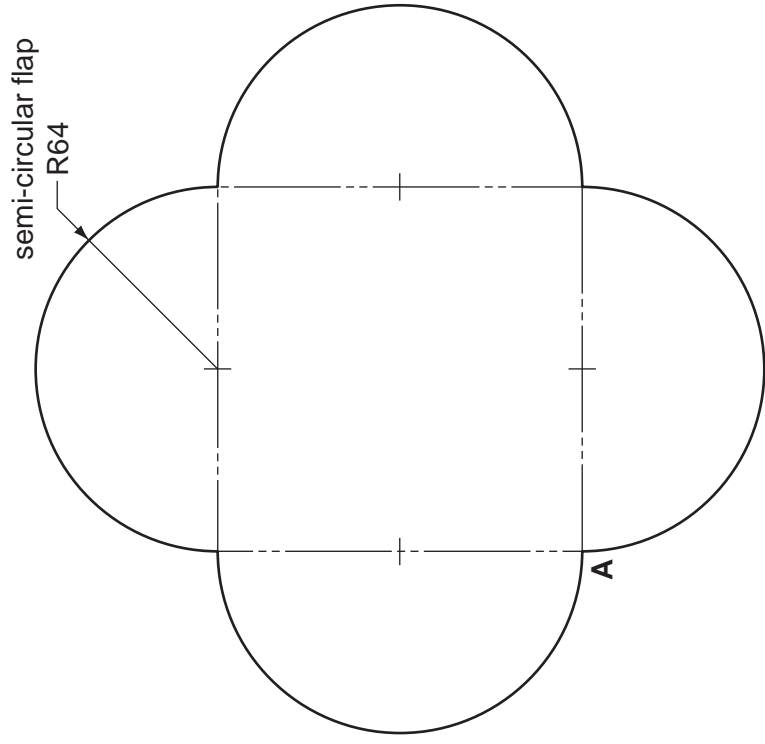
Other Names .....

[Turn over]

For Examiner's use	

**A3** Operating instructions and a selection of music for the SINGSONG MP3 PLAYER are supplied on a CD ROM.

The development (net) of the card packaging for the CD ROM is shown below.



----- fold line

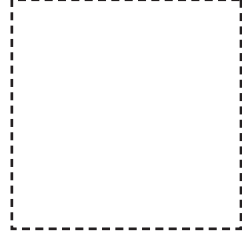
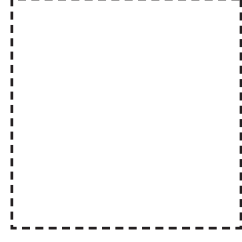
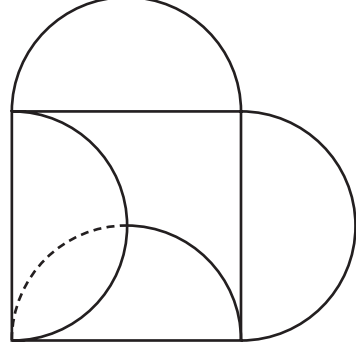
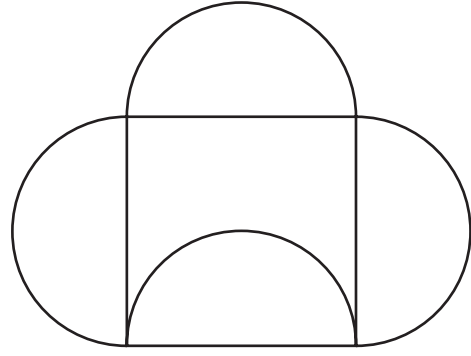


**(a)** Draw to a scale of 1 : 2 the development (net) of the card packaging.

Use corner **A** as your starting point. [6]

When the flaps are folded over in the correct order, they lock together to form a secure packaging for the CD ROM.

**(b)** Complete the sketches to the right to show how the flaps should be folded so that they lock together. [4]

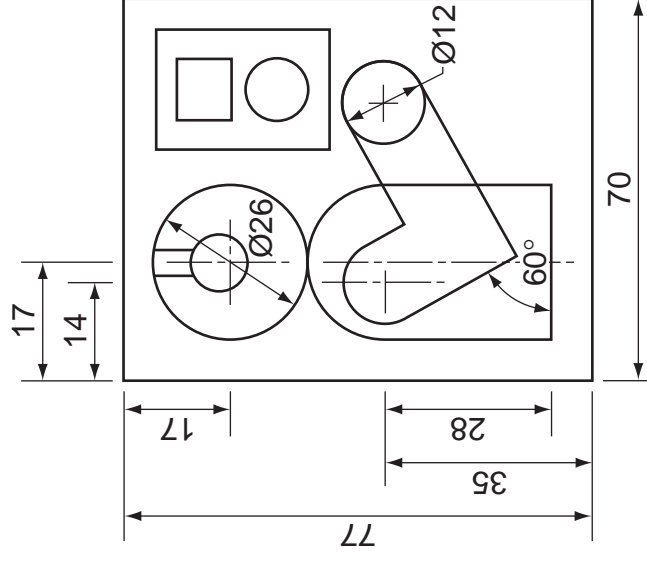


**Section B**  
Answer either question B4 or B5.

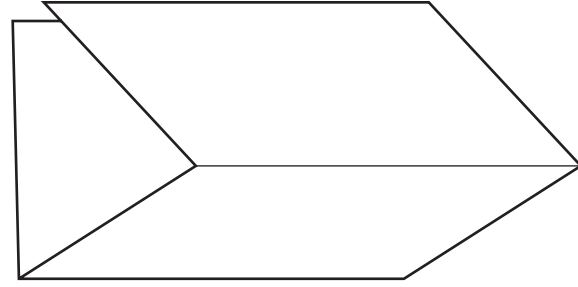
**B4** The MP3 manufacturing company is to produce an advertising postcard to send to potential customers. The postcard is to be folded by the customer to make a desk tidy.

The outline of the postcard is shown below.

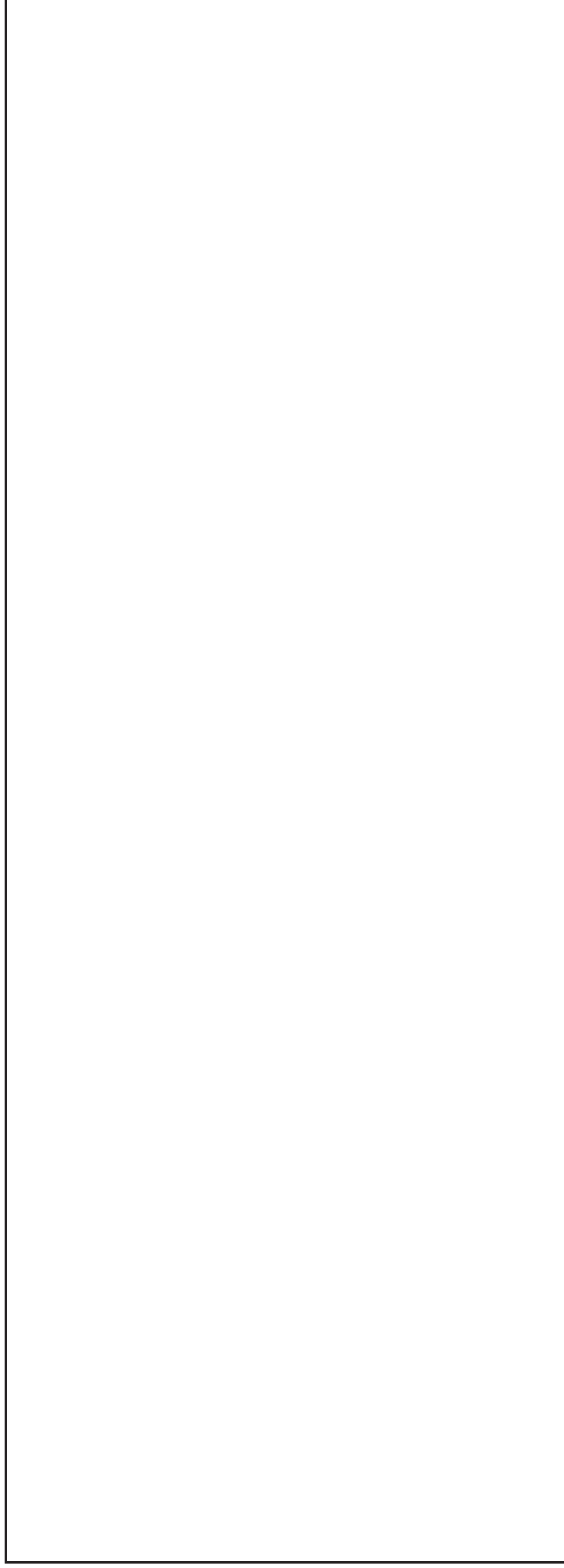
- (a) Divide accurately the long side of the postcard into three equal parts so that, when folded, the postcard will have three faces as shown in the pictorial view. [3]
- (b) To a scale of 1 : 1, draw the company logo shown on one of the faces you have created. Estimate any missing dimensions. [15]
- (c) Using a suitable graphical method, complete the remaining two faces of the desk tidy with a visual chart on each showing:
  - (i) the types of music available as downloads; [4]
  - (ii) the costs of downloading 1, 5 or 20 tunes. [3]



company logo



postcard folded to make a desk tidy



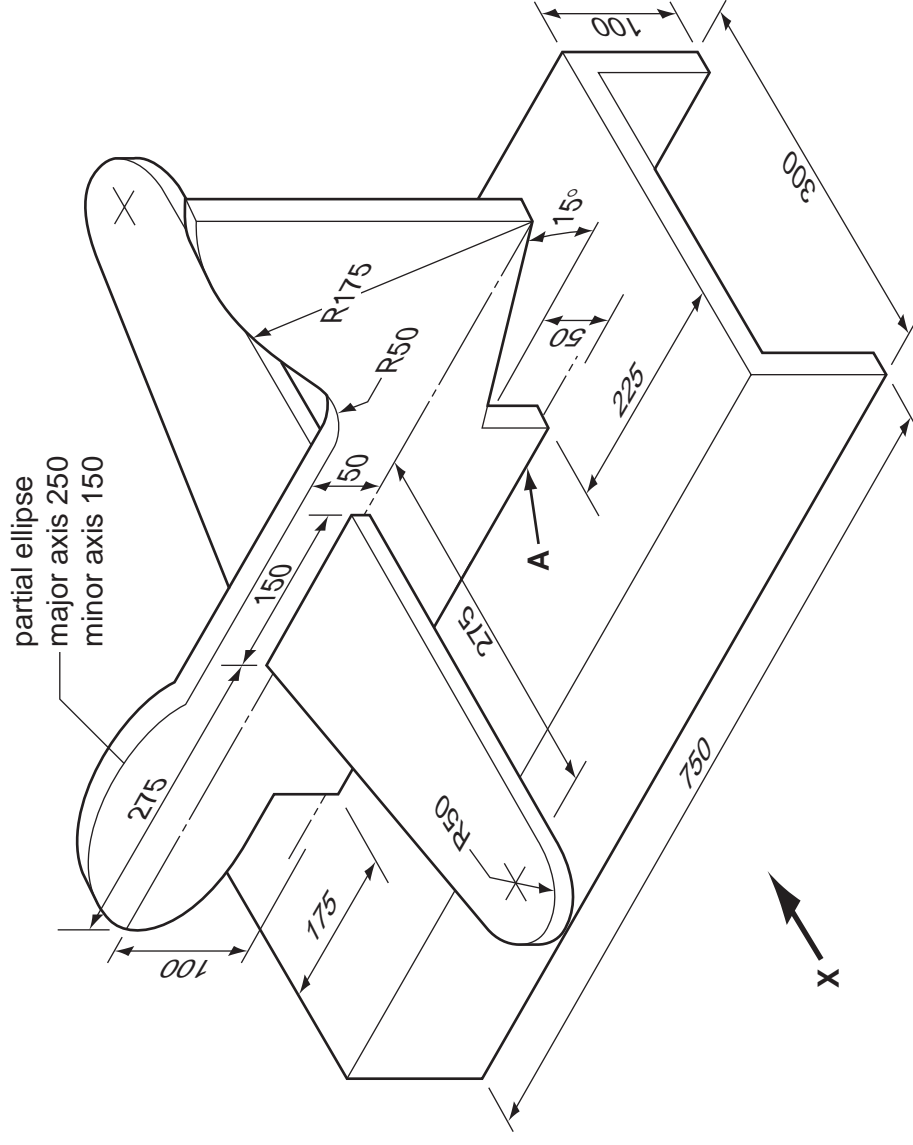
outline of postcard

Types of music available for download	
Pop	90
Rock	30
Indie	15
Dance	45

Download costs	
1 × tune	\$1
5 × tunes	\$4
20 × tunes	\$6

**B5** A counter top display unit is used to promote electronic travel games that are safe for in-flight use.

The display is made from 10 mm foamboard.



pictorial view of counter top display unit

- (a) Draw to a scale of 1 : 5, in the space to the right, the following orthographic views:
  - (i) a front view in the direction of arrow **X**; [13]
  - (ii) a plan. [7]Estimate any missing dimensions.
- (b) Draw in the box provided, the correct symbol for the projection you have used. [2]
- (c) Use sketches and notes to show a method of joining the aeroplane to the base at **A**. [3]

orthographic projection symbol

ORTHOGRAPHIC VIEWS OF COUNTER TOP DISPLAY UNIT SCALE 1 : 5

Answer part (c) here