

Cambridge IGCSE[®] (9–1)

CANDIDATE
NAME

CENTRE
NUMBER

| | | | | |
|--|--|--|--|--|
| | | | | |
|--|--|--|--|--|

CANDIDATE
NUMBER

| | | | |
|--|--|--|--|
| | | | |
|--|--|--|--|



DESIGN & TECHNOLOGY

0979/05

Paper 5 Graphic Products

For examination from 2020

SPECIMEN PAPER

1 hour

You must answer on the two A3 pre-printed answer sheets.

You will need: Two A3 pre-printed answer sheets (enclosed)
Standard drawing equipment

INSTRUCTIONS

- Section A: answer **all** questions.
- Section B: answer **one** question.
- Use an HB pencil for any drawings and a black or dark blue pen for any writing.
- Write your name, centre number and candidate number in the boxes at the top of the page and on **both** pre-printed answer sheets.
- Answer in the space provided on the answer sheets.
- Do **not** use an erasable pen, staples, paper clips, glue or correction fluid.
- Do **not** write on any bar codes.
- You may use a calculator.
- You may use standard drawing equipment, including coloured pencils.
- You must show all construction and projection lines clearly where appropriate.
- At the end of the examination, insert both sheets into this booklet. Do **not** punch holes in the cover and sheets or tie with string.

INFORMATION

- The total mark for this paper is 50.
- The number of marks for each question or part question is shown in brackets [].
- All dimensions are in millimetres.

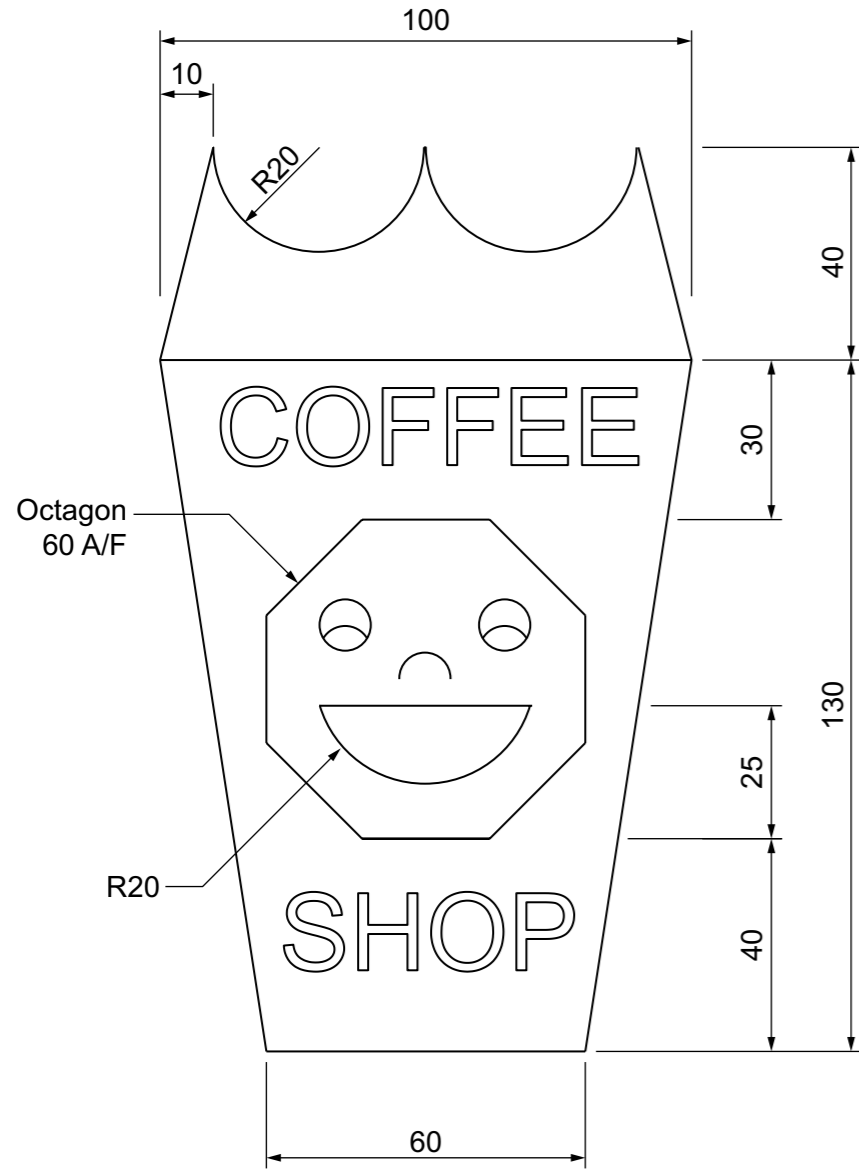
This document has 4 pages. Blank pages are indicated.

BLANK PAGE

Section A

Answer **all** questions in this section.

The logo design for a new coffee shop is shown below.



1 Complete the full size view of the logo in the space provided to the right by drawing:

(a) the cup and crown outline [3]

(b) the face on the cup. [5]

2 The logo is to be printed on the front page of a menu. The page measures 210 × 140. The logo is positioned in the centre of the page. Draw the outline of the page around the logo. [3]

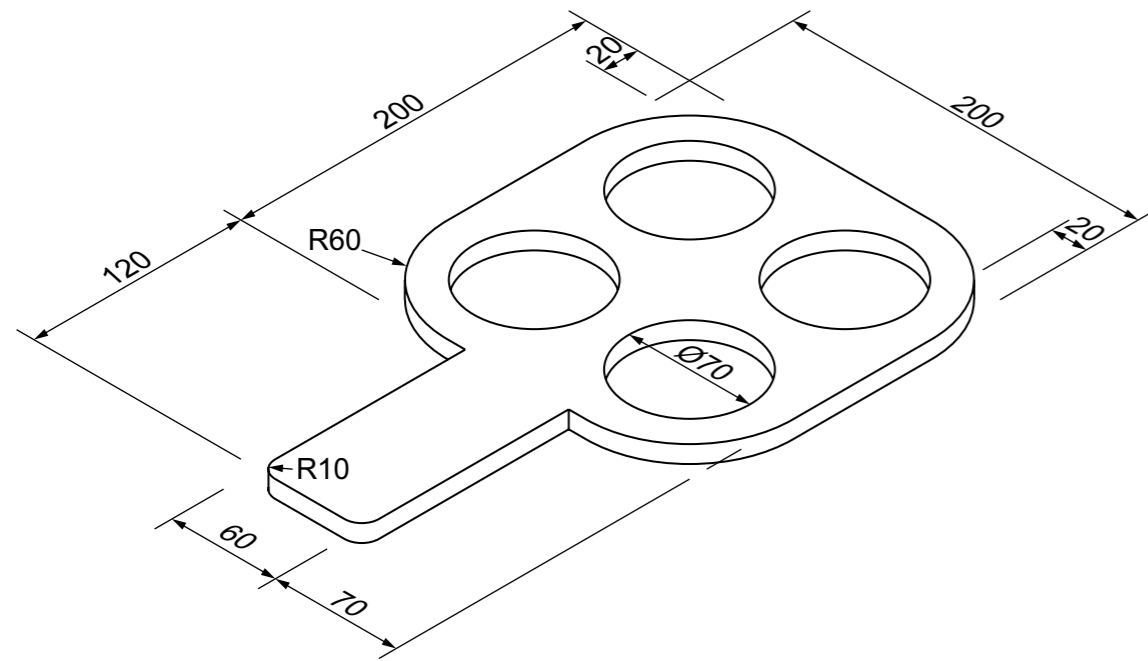
| |
|--------------------|
| For examiner's use |
| |
| |
| |
| |

0979/05 For examination from 2020 1 hour
© UCLES 2017

Centre number Candidate number Candidate name **[Turn over]**

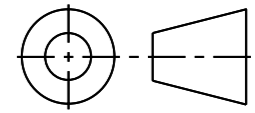
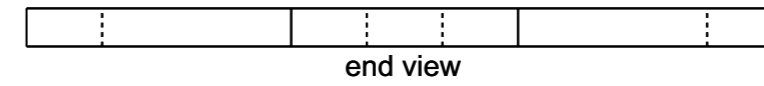
3 A holder for carrying four cups of coffee is shown below.

The holder is made from 10mm thick softwood.



(a) Complete the orthographic views of the holder to a scale of 1:2.

[10]

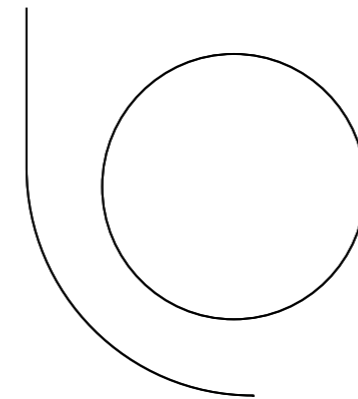
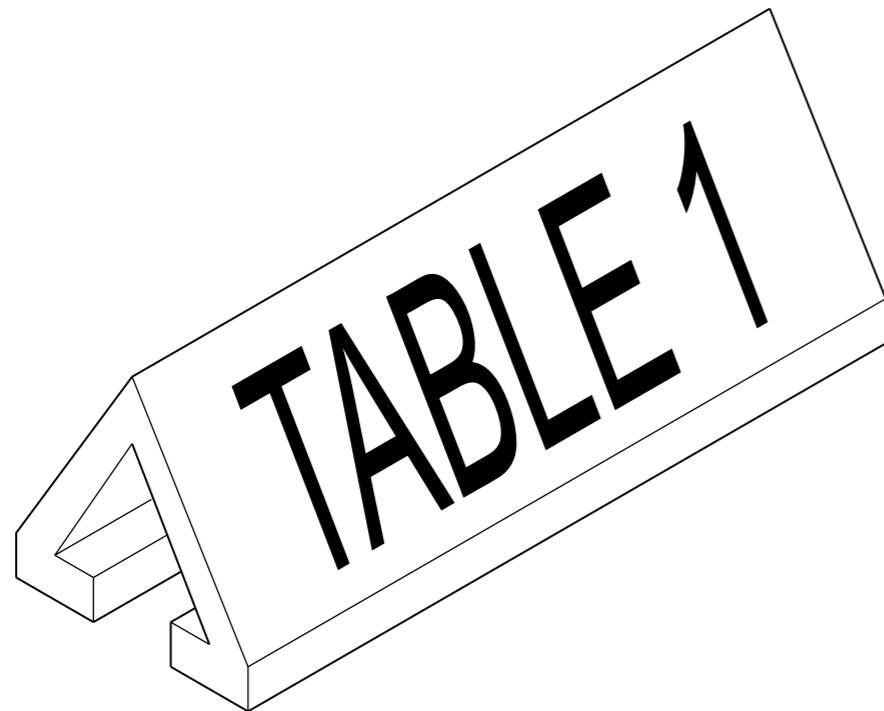


end view



(b) A table sign from the coffee shop is shown below.
Use thick and thin line technique on the table sign.

[4]



plan

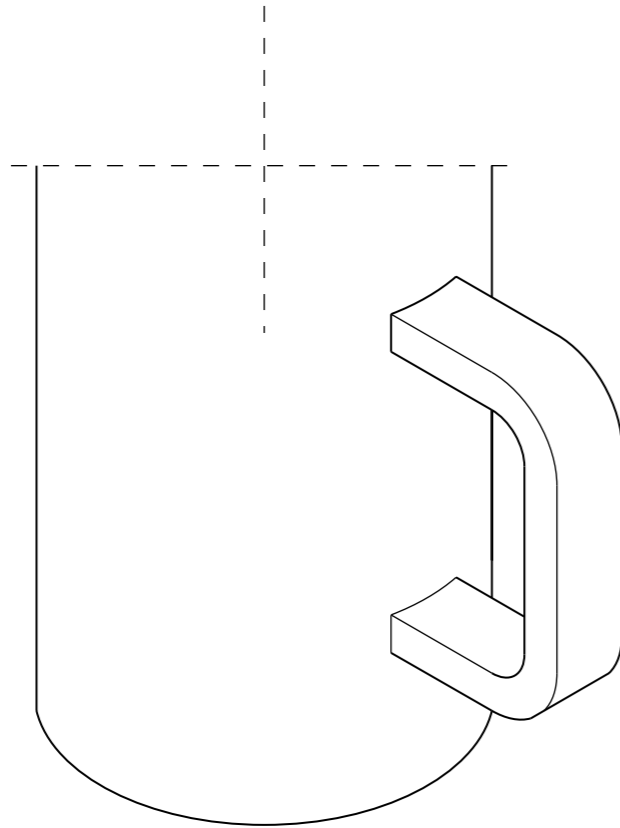
side view

Section B

Answer **one** question, **either** question 4 **or** 5, from this section.

4 A coffee mug is shown below.

(a) Complete the drawing of the mug by constructing the elliptical shape of the top edge. [7]



(b) (i) Identify **two** pieces of anthropometric information the designer would use when deciding on the size and shape of the mug handle.

1

2 [2]

(ii) Explain how the **two** pieces of anthropometric information would be used in the design of the mug handle.

1

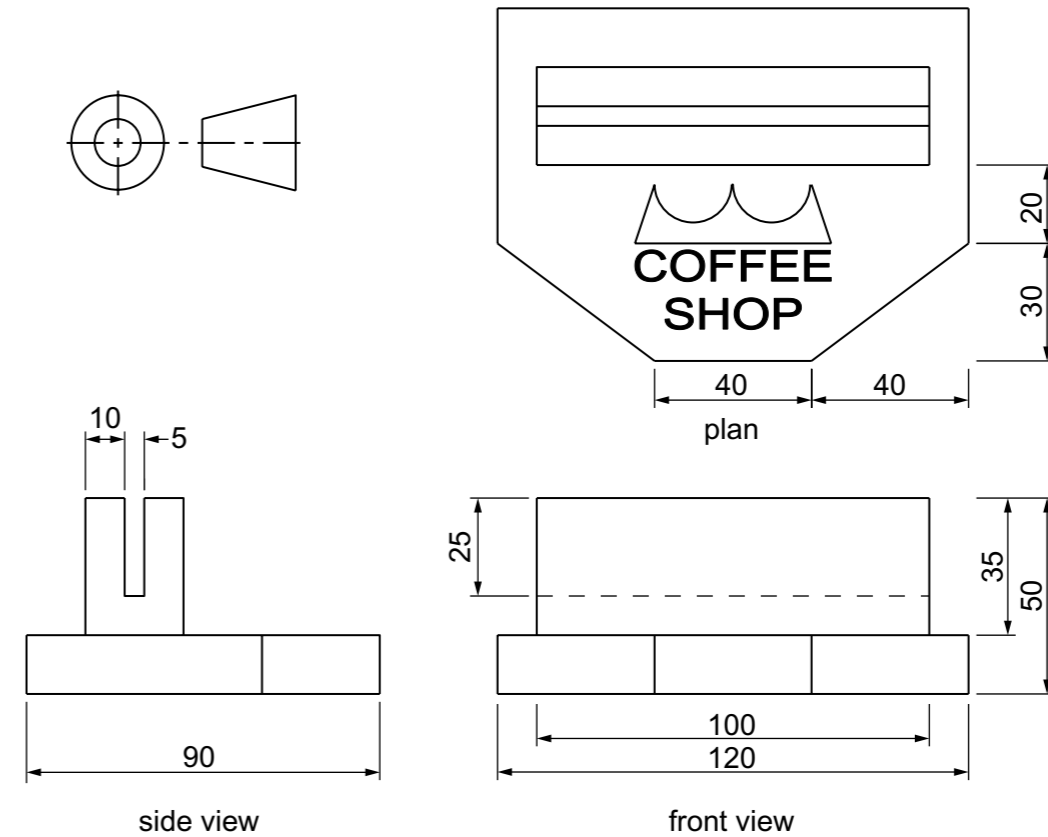
2 [2]

(c) An image is to be printed onto the mug using thermochromic ink. Describe how using thermochromic ink will affect the image.

.....

..... [2]

(d) Orthographic views of a menu holder from the coffee shop are shown below.

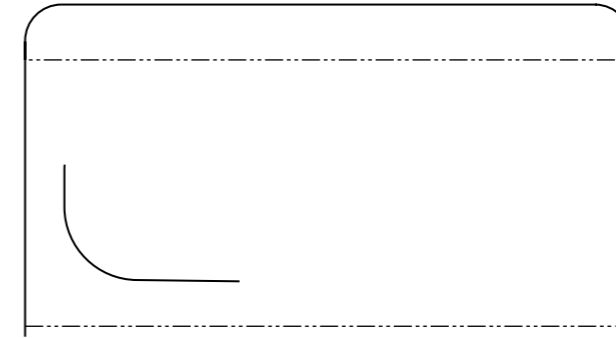
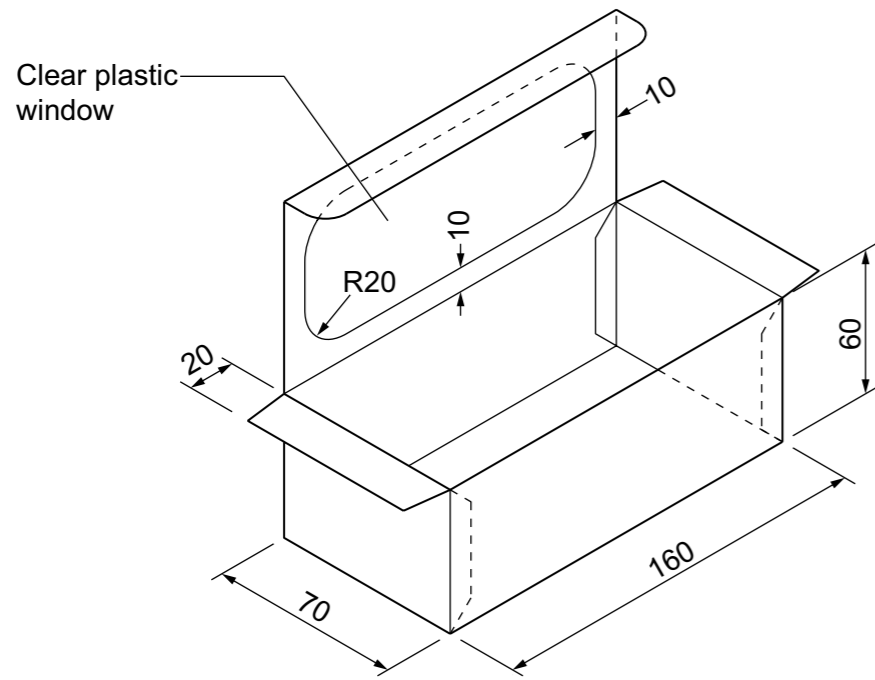


Complete the full scale isometric view of the menu holder.

[12]



5 A package for biscuits is shown below.



(a) Complete the scale 1:2 development (net) of the package for biscuits by drawing:

- (i) the remaining surfaces and glue tabs for the development (net) [10]
- (ii) the clear plastic window on the lid of the package. [4]

(b) The cardboard developments (nets) are to be produced in different quantities. Complete the table below by giving a suitable tool/item of equipment for cutting out the developments (nets) in the quantities given.

| Quantities | Tool/Item of equipment |
|------------|------------------------|
| 1 | |
| 40 | |
| 8000 | |

[3]

(c) The recycling symbol shown below is to be printed onto the package. State **two** reasons why symbols are used on packaging instead of written text.



- 1
- 2

[2]

(d) The results of a questionnaire on people's favourite biscuit flavour are shown below.

| Biscuit | Chocolate | Custard | Jam | Ginger |
|---------|-----------|---------|-----|--------|
| Number | 425 | 150 | 275 | 300 |

In the space below draw a bar chart to show the results of the questionnaire. Use labels and colour to enhance the appearance of the chart.

[6]

BLANK PAGE

BLANK PAGE

Permission to reproduce items where third-party owned material protected by copyright is included has been sought and cleared where possible. Every reasonable effort has been made by the publisher (UCLES) to trace copyright holders, but if any items requiring clearance have unwittingly been included the publisher will be pleased to make amends at the earliest possible opportunity.

Cambridge Assessment International Education is part of the Cambridge Assessment Group. Cambridge Assessment is the brand name of University of Cambridge Local Examinations Syndicate (UCLES), which itself is a department of the University of Cambridge.