

Centre Number

Candidate Number

Name

UNIVERSITY OF CAMBRIDGE INTERNATIONAL EXAMINATIONS
International General Certificate of Secondary Education

COMBINED SCIENCE**0653/03**

Paper 3

May/June 2004

1 hour 15 minutes

Candidates answer on the Question Paper.
No Additional Materials are required.

READ THESE INSTRUCTIONS FIRST

Write your Centre number, candidate number and name on all the work you hand in.
Write in dark blue or black pen in the spaces provided on the Question Paper.
You may use a soft pencil for any diagrams, graphs, tables or rough working.
Do not use staples, paper clips, highlighters, glue or correction fluid.

Answer **all** questions.

The number of marks is given in brackets [] at the end of each question or part question.
A copy of the Periodic Table is printed on page 20.

For Examiner's Use

1	
2	
3	
4	
5	
6	
7	
8	
9	
Total	

If you have been given a label, look at the details. If any details are incorrect or missing, please fill in your correct details in the space given at the top of this page.

Stick your personal label here, if provided.

This document consists of **20** printed pages.



- 1 Gasoline is a liquid hydrocarbon fuel. Fig. 1.1 shows a gasoline fire.

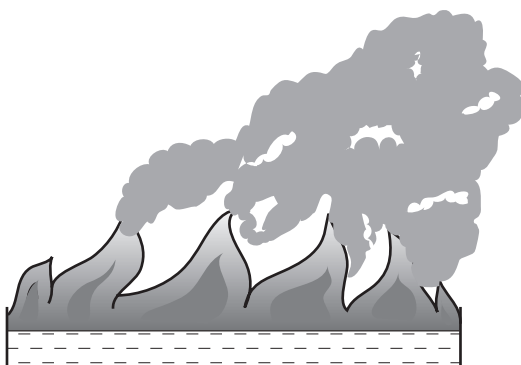


Fig. 1.1

- (a) (i) State the meaning of the term *hydrocarbon*.

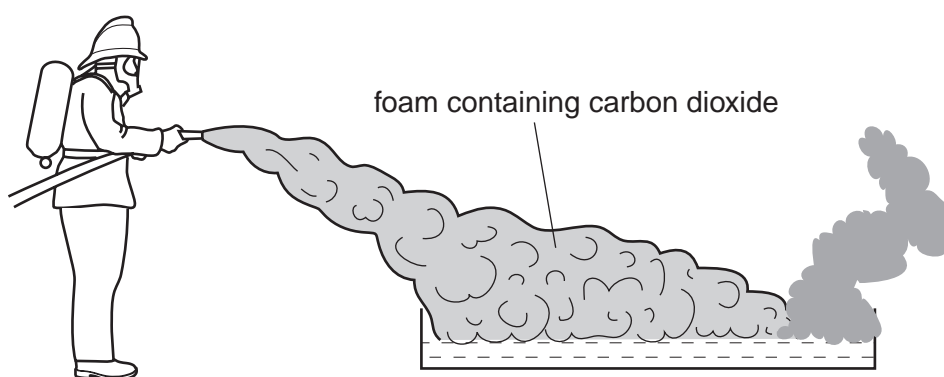
.....
[2]

- (ii) In a plentiful supply of air many hydrocarbons burn with an almost invisible flame.
 Suggest why the fire in Fig. 1.1 produced clouds of black smoke.

.....

[2]

- (iii) A fire-fighter sprays foam containing carbon dioxide over the fire in order to put it out.



Explain why the fire goes out.

.....

[2]

- (b) The balanced equation in Fig. 1.2 shows the complete combustion of ethene. The substances involved are shown as displayed (graphical) formulae.

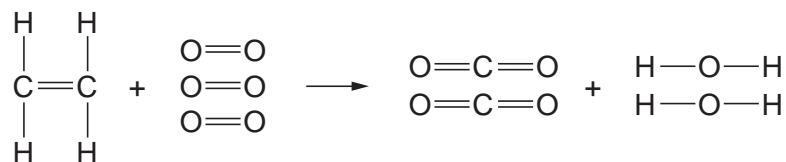


Fig. 1.2

- (i) Rewrite the equation as a normal balanced equation using molecular formulae.

.....[2]

- (ii) Explain why this equation is said to be *balanced*.

.....

.....[1]

- (iii) On Fig. 1.2 indicate with the letter **B** and a labelling line **one** of the chemical bonds which is broken in the reaction. [1]

- (iv) On Fig. 1.2 indicate with the letter **M** and a labelling line **one** of the chemical bonds which is formed in the reaction. [1]

- 2 A student measured the pH of the water in two lakes, lake **X** and lake **Y**. The water in lake **X** had a pH of 5.4, while the water in lake **Y** had a pH of 6.8.

The student made a survey of the animals living in each lake. He took the same number and size of water samples from each lake, and identified every species of animal which he found. He then counted how many individual animals he found that belonged to each species.

Table 2.1 summarises his results.

Table 2.1

species	number of individuals in lake X	number of individuals in lake Y
A	58	12
B	0	6
C	93	15
D	0	2
E	6	22
F	1	0
G	0	3
H	0	1
I	61	6
J	0	2

- (a) Which lake had the higher species diversity? Explain your answer.

.....
[1]

(b) Both lakes were in areas where acid rain of pH3 regularly fell. However, lake Y was in an area where the rocks were mostly limestone.

(i) What evidence did the student find which suggests that the acid rain had less effect on the water in lake Y than in lake X?

.....
.....[1]

(ii) Suggest why the acid rain had less effect on the water in lake Y than in lake X.

.....
.....[1]

(c) Explain why removing sulphur from fossil fuels can help to reduce the problems caused by acid rain.

.....
.....
.....[2]

(d) Soil erosion is another problem which can harm communities of organisms living in lakes. Soil washed off the land into a lake can form a suspension in the water, preventing light from passing through.

Explain how this would disrupt the food web in the lake.

.....
.....
.....
.....[3]

3 Fig. 3.1 shows a weightlifter.

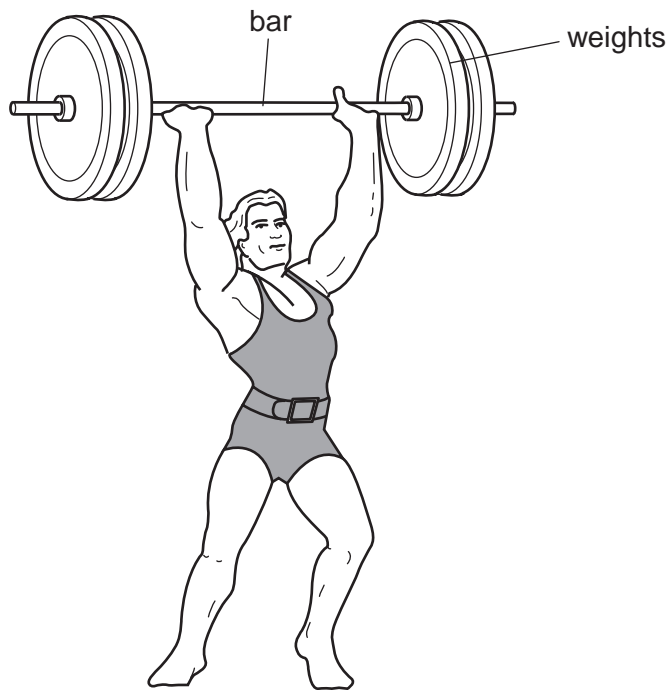


Fig. 3.1

- (a) The total weight lifted by the weightlifter is 1600 newtons, which he lifts through 2 metres in 0.5 seconds.
- (i) Calculate the work done on the bar and weights.
Show your working and state the formula that you use.

formula

working

.....[2]

- (ii) Calculate the power developed by the weightlifter while lifting the bar and weights. Show your working and state the formula that you use.

formula

working

.....[2]

- (b) (i) What form of energy has been gained by the bar and weights as a result of lifting them?

.....[1]

- (ii) The weightlifter suddenly drops the bar and weights, and the energy gained in (i) is now transferred to another form. Name this form of energy.

.....[1]

4 The element chlorine is an important substance used in the manufacture of many products, including bleaches and sterilising agents.

(a) Explain why experiments involving chlorine must always be carried out in a fume cupboard.

.....
[1]

(b) Two bleaches, STAINAWAY and SUPERWHITE contain chlorine that is easily released from solution. They are tested in a laboratory to find out which contains the greater amount of chlorine.

A chemist carries out the test shown in Fig. 4.1. She adds 1.0 cm^3 of bleach to 10.0 cm^3 of excess sodium iodide solution.

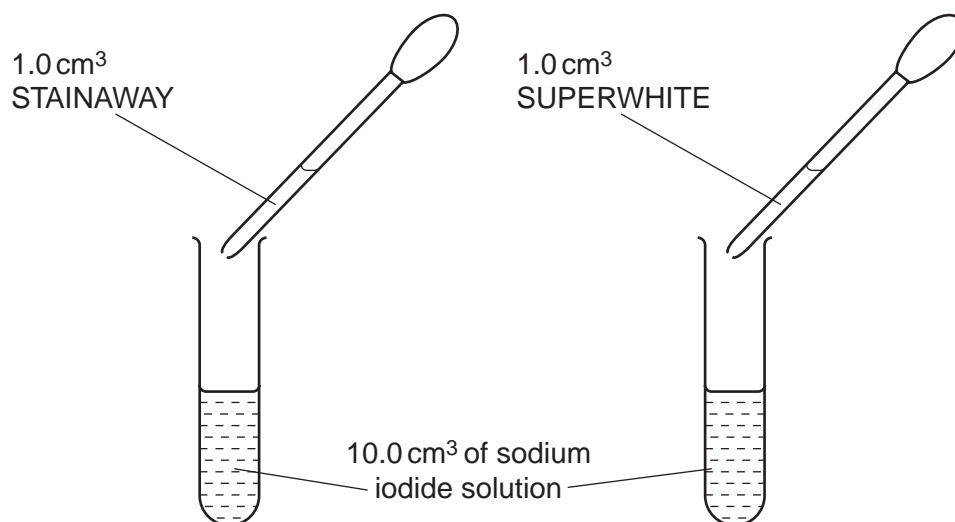


Fig. 4.1

The observations made by the chemist are shown in Table 4.1.

In both tests, the mixture changes colour from colourless to brown because iodine is formed.

Table 4.1

bleach	colour of mixture
STAINAWAY	dark brown
SUPERWHITE	light brown

(i) Explain briefly why iodine is formed in these reactions.

.....
.....[1]

(ii) Explain how the observations allow the chemist to decide which bleach contains the greater amount of chlorine.

.....
.....
.....
.....[2]

(c) (i) Draw a diagram of a chlorine molecule, showing how all of the outer shell electrons are arranged.

[2]

(ii) Name the type of chemical bond you have drawn in (i).

.....[1]

- 5 A farmer grows fruit that he sells to a supermarket. The supermarket wants the fruit to contain high concentrations of vitamin C.

The supermarket buyer has a simple test kit which she uses to test the vitamin C content of the fruit. She tells the farmer that fruit from trees with the genotype **AA** or **Aa** is high in vitamin C. Fruit from trees with the genotype **aa** is low in vitamin C.

The farmer decides to breed from some of his trees, to produce a large number of trees which all produce fruit high in vitamin C.

- (a) (i) State the genotype of the trees which the farmer should use for breeding, in order to be sure that all of the offspring have fruit which is high in vitamin C.

.....[1]

- (ii) Using genetic diagrams, explain how he can carry out a test cross to find out whether the genotype of a tree is **AA** or **Aa**.

[4]

(b) The buyer from the supermarket suggests that it would be better if the farmer propagated the trees asexually, rather than sexually.

Is she correct? Explain your answer.

.....

.....

.....

.....[2]

(c) Explain why it is good for people to eat fruit that is high in vitamin C.

.....

.....

.....[2]

- 6 (a) There are three states of matter – solid, liquid and gas.

Fig. 6.1 shows the arrangement of particles in a liquid.

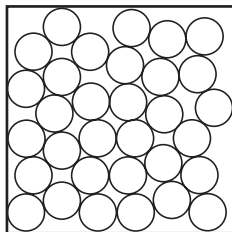
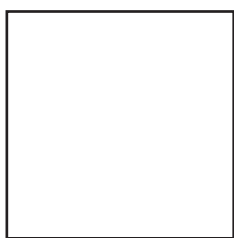
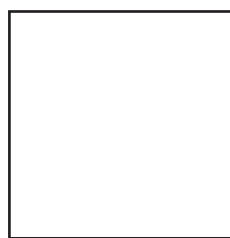


Fig. 6.1

Draw similar diagrams for a solid and a gas.



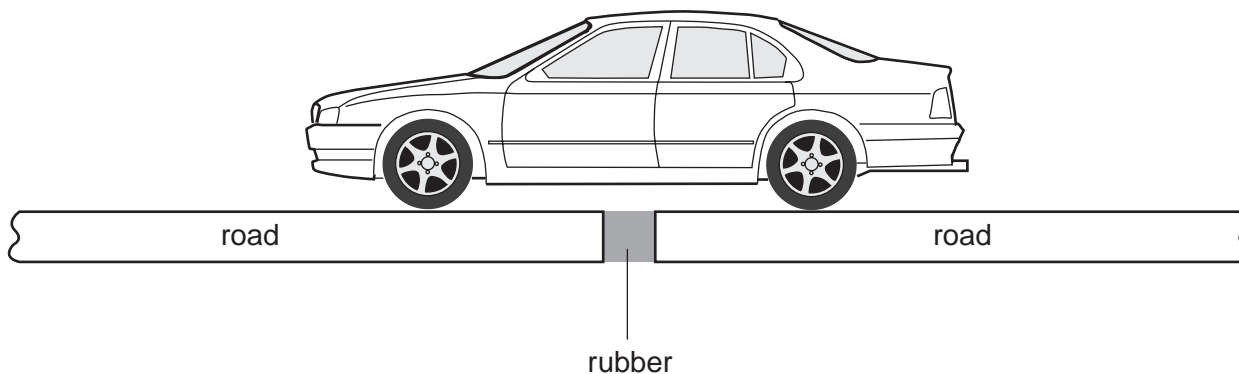
solid



gas

[2]

- (b) A long bridge is made in sections, with gaps between each section. The gaps are filled with rubber.



- (i) Suggest why these gaps are left.

.....

.....

..... [2]

- (ii) The gaps are left every 50 m. A car travels over the bridge at 20 m/s. Calculate how long the car will take to travel from one gap to the next.

Show your working and state the formula that you use.

formula

working

.....[2]

- (c) Answer the following in terms of *conduction*, *convection* and *radiation*.

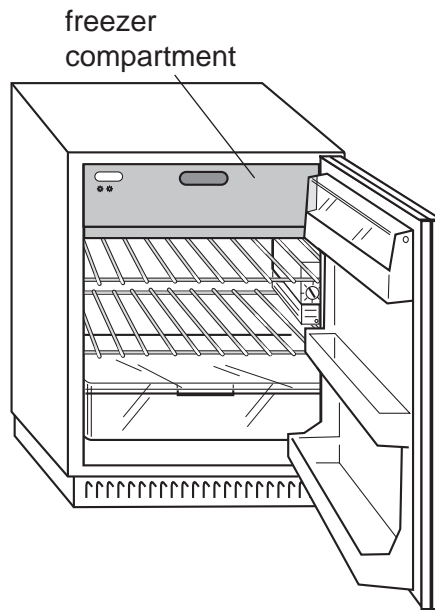
- (i) Cooking pans often have handles made of plastic or wood. Why do these help to prevent you burning your hand when using the pan?

.....
.....[1]

- (ii) On a sunny day your body gets hotter when wearing a black shirt than when wearing a white shirt. Explain why this happens.

.....
.....
.....
.....[2]

- (iii) In a refrigerator, the freezer compartment is usually placed at the top. Why does this help the working of the refrigerator?



.....
.....[2]

7 The air is a mixture of many substances.

(a) Complete Table 7.1 which shows information about substances in unpolluted air.

Table 7.1

substance	chemical formula of molecules	approximate % in air
nitrogen		
oxygen		

[3]

(b) Fig. 7.1 shows apparatus which can be used to measure the percentage of oxygen in 100 cm³ of air.

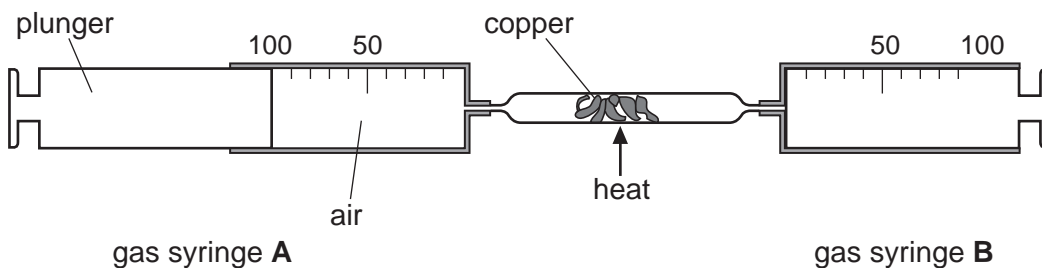


Fig. 7.1

When the plunger of gas syringe **A** is pushed into the syringe, the air flows through the tube containing the heated copper and fills gas syringe **B**. During the experiment oxygen reacts with the hot copper forming copper(II) oxide.

(i) Describe how the apparatus is used to measure the percentage of oxygen in air.

.....

.....

.....

.....

.....

.....

.....

.....[3]

- (ii) During the reaction oxygen atoms are reduced to oxide ions.
In the boxes below draw an oxygen atom and an oxide ion, showing all of the electrons in each particle.

oxygen atom	oxide ion

[2]

- (iii) State the electrical charge of the oxide ion you have drawn in (ii).

.....[1]

- (iv) State, in terms of electrons, why the change of an oxygen atom into an oxide ion is called *reduction*.

.....

.....[1]

8 (a) Fig. 8.1 shows some red blood cells in a concentrated glucose (sugar) solution.

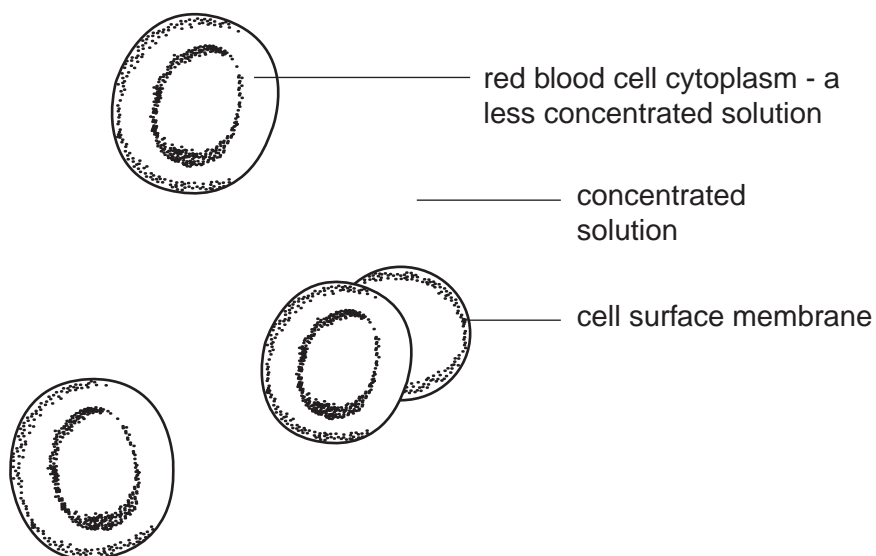


Fig. 8.1

Using your knowledge of osmosis, explain what will happen to the red blood cells.

.....

.....

.....[2]

(b) In the body, red blood cells are surrounded by blood plasma. The glucose concentration in the plasma is kept constant.

(i) Explain how the blood glucose concentration is brought down to normal if it rises too high.

.....

.....

.....

.....[3]

(ii) State the term which is used to describe the maintenance of constant internal conditions in the body.

.....[1]

- (c) Blood glucose concentration usually rises a few hours after we eat food containing starch.

Explain how this happens.

.....

.....

.....

.....[3]

9 (a) Fig. 9.1 shows a circuit containing three identical resistors.

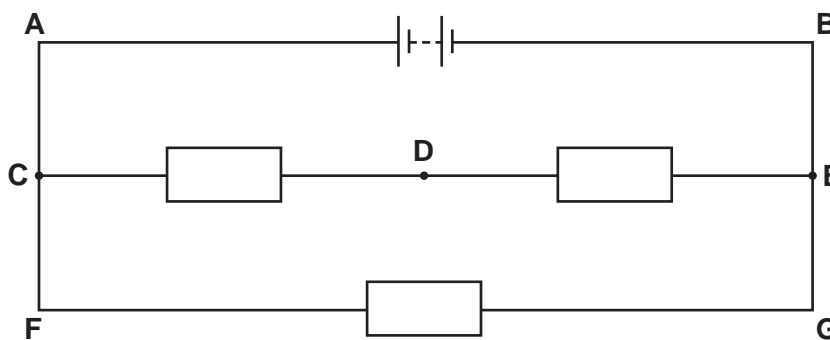


Fig. 9.1

A voltmeter connected across **AB** reads 6 V.
State the voltmeter reading when connected across

CD

FG

[2]

(b) Draw a circuit diagram, using correct symbols, for a circuit with a cell, a switch, a lamp, a motor and a variable resistor that controls the speed of the motor but does not affect the brightness of the lamp.

[3]

(c) A student is given 3 resistors $2\ \Omega$, $2\ \Omega$ and $4\ \Omega$.

Explain how he could connect 2 or 3 of these resistors to produce a combined resistance of

(i) $6\ \Omega$,

[2]

(ii) $1\ \Omega$

[2]

DATA SHEET
The Periodic Table of the Elements

		Group																																																																																																																																																				
		I	II	III	IV	V	VI	VII	O																																																																																																																																													
1	1																																																																																																																																																					
7	9	1																																																																																																																																																				
3	4	5	6	7	8	9	10	11	12	13	14	15	16	17	18	19	20																																																																																																																																					
23	24	27	28	29	30	31	32	33	34	35	36	37	38	39	40	41	42	43	44	45	46	47	48	49	50	51	52	53	54	55	56	57	58	59	60	61	62	63	64	65	66	67	68	69	70	71	72	73	74	75	76	77	78	79	80	81	82	83	84	85	86	87	88	89	90	91	92	93	94	95	96	97	98	99	100	101	102	103	104	105	106	107	108	109	110	111	112	113	114	115	116	117	118	119	120	121	122	123	124	125	126	127	128	129	130	131	132	133	134	135	136	137	138	139	140	141	142	143	144	145	146	147	148	149	150	151	152	153	154	155	156	157	158	159	160	161	162	163	164	165	166	167	168	169	170	171	172	173	174	175
Li Lithium	Be Beryllium	B Boron	C Carbon	N Nitrogen	O Oxygen	F Fluorine	Ne Neon	Na Sodium	Mg Magnesium	Al Aluminium	Si Silicon	P Phosphorus	S Sulphur	Cl Chlorine	Ar Argon	K Potassium	Ca Calcium	Sc Scandium	Ti Titanium	V Vanadium	Cr Chromium	Mn Manganese	Fe Iron	Co Cobalt	Ni Nickel	Cu Copper	Zn Zinc	Ga Gallium	Ge Germanium	As Arsenic	Se Selenium	Br Bromine	Kr Krypton	Rb Rubidium	Sr Strontium	Y Yttrium	Zr Zirconium	Nb Niobium	Mo Molybdenum	Tc Technetium	Ru Ruthenium	Rh Rhodium	Pd Palladium	Ag Silver	Cd Cadmium	In Indium	Sn Tin	Sb Antimony	Te Tellurium	I Iodine	Xe Xenon	Cs Caesium	Ba Barium	La Lanthanum	Ce Cerium	Pr Praseodymium	Nd Neodymium	Pm Promethium	Sm Samarium	Eu Europium	Gd Gadolinium	Tb Terbium	Dy Dysprosium	Ho Holmium	Er Erbium	Tm Thulium	Yb Ytterbium	Lu Lutetium	Fr Francium	Ra Radium	Ac Actinium	Th Thorium	Pa Protactinium	U Uranium	Np Neptunium	Pu Plutonium	Am Americium	Cm Curium	Bk Berkelium	Cf Californium	Es Einsteinium	Fm Fermium	Md Mendelevium	No Nobelium	Lr Lawrencium																																																																	

*58-71 Lanthanoid series
†90-103 Actinoid series

Key

a	X
b	†

a = relative atomic mass
X = atomic symbol
b = proton (atomic) number

The volume of one mole of any gas is 24 dm³ at room temperature and pressure (r.t.p.).